

Flexible Track



- Rail designed to enable anyone to easily bend it into a curve.
- Can be installed by anyone using a screwdriver and cutter, without the need for a special bender.
- Ready to be bent into L-shaped, S-shaped, U-shaped and other shaped curves.

Flexible Track

Flexible Track Unique Features



The rail can be bent to match the shape of a bay window.

Materials and Finishes

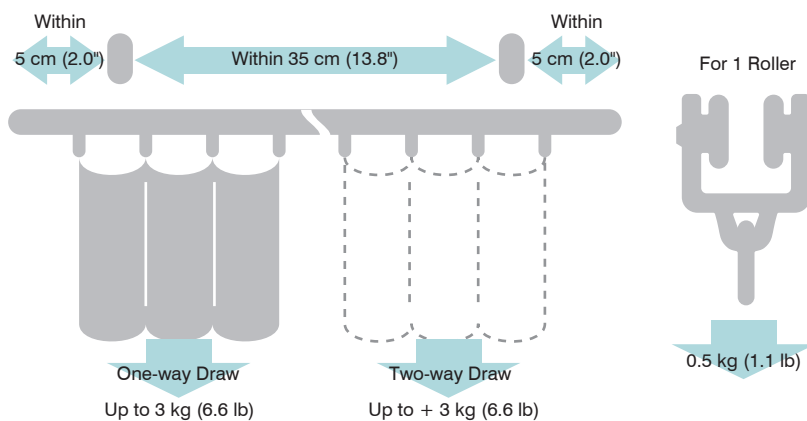
Parts	Material	Finish	
Rail	Soft polyethylene (steel plate insert)	Warm white	
Roller	Plate		Hard polyethylene
	Wheel		Acetal resin
	Oval ring		Stainless steel

Parts	Material	Finish	
End Cap	Body	Nylon	Warm white
	Oval ring	Stainless steel	
Bracket	Body	Steel	
	Hook	Acetal resin	

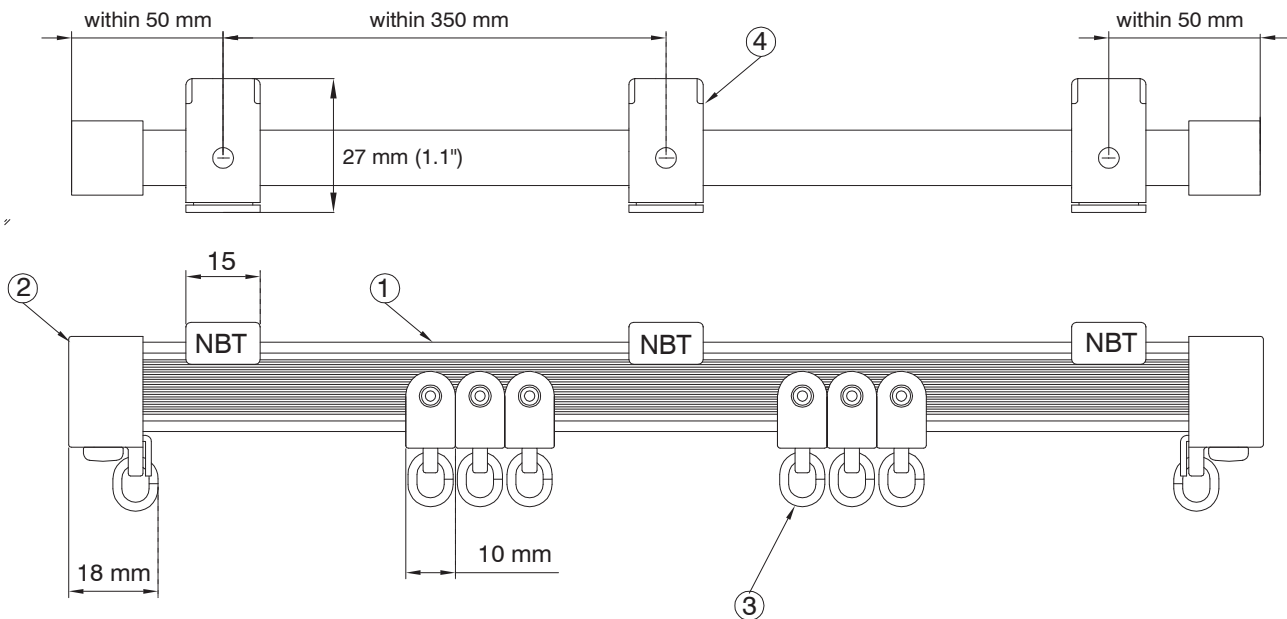
Curving Flexibility



Bracket Installation Interval and Allowable Curtain Load



Structure Drawing

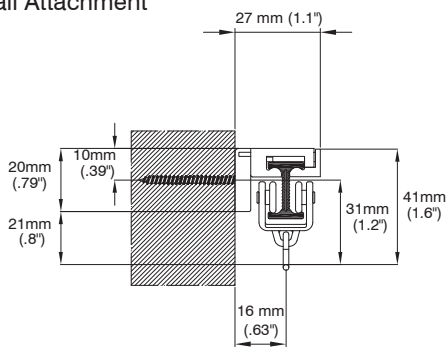


Components and Material

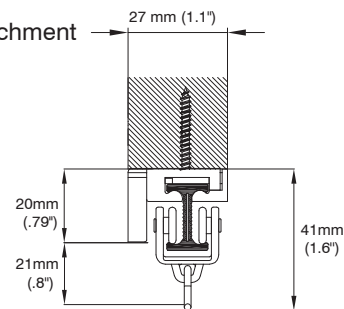
No.	Components	Material
①	Track	Soft polyethylene (steel plate insert)
②	End Cap with Stopper	Molded resin
③	Smooth Runner	Molded resin
④	Bracket	SUS

Installation Dimensions

Wall Attachment



Ceiling Attachment

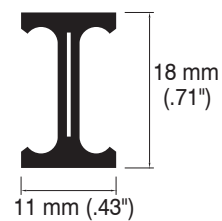


Flexible Rails

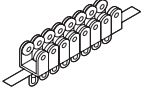
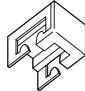
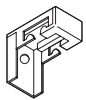
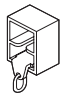
White



Size	Product Code
	White
100 mtr (3937")	FKA031



Flexible Track Parts

Product Name		Product Code	Product Name		Product Code
Roller (8 pieces per strip)		Warm white FKD0722	Ceiling Single		Warm white FKH03340
Single Bracket			End Cap		
	Warm white	FK0337		Warm white	FKC0341

